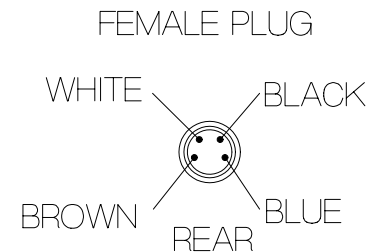
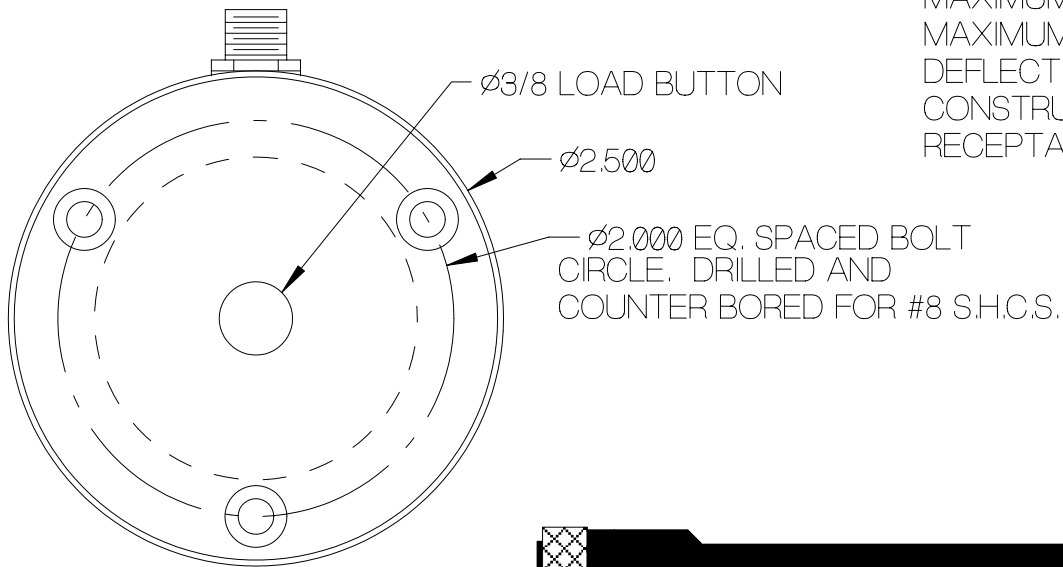
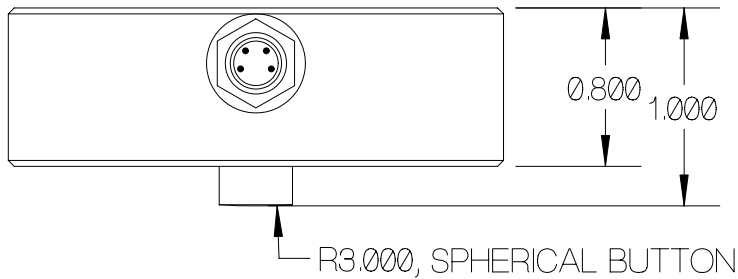


REV	DATE	DESCRIPTION	ECO	SIGN

SPECIFICATIONS:

RATED CAPACITY	5K POUNDS
RATED OUTPUT	2 mV/V typical
COMBINED ERROR	±0.5% / CURVE PROVIDED
NON-REPEATABILITY	0.02 %
ZERO BALANCE	± 10 %
TEMPERATURE RANGE, COMPENSATED	+60 TO 160° F
TEMPERATURE EFFECT, OUTPUT	0.0015 % of Load / ° F
TEMPERATURE EFFECT, ZERO BALANCE	0.0015 % of Load / ° F
INPUT IMPEDANCE, OUTPUT IMPEDANCE	350 OHMS, typical
EXCITATION VOLTAGE (typical)	10 VDC or VAC rms
EXCITATION VOLTAGE, MAXIMUM	15 VDC or VAC rms
INSULATION RESISTANCE	5,000 MEG OHMS @ 50 VDC
MAXIMUM LOAD, SAFE	150 % F.S.
MAXIMUM LOAD, ULTIMATE	200 % F.S.
DEFLECTION AT RATED CAPACITY, APPROXIMATE	0.007 in.
CONSTRUCTION	TOOL STEEL
RECEPTACLE ON LOAD CELL	TURCK MFSS 4-0.2

WIRE COLOR CODE:	TURCK	PIN NO.
+EXCITATION	BROWN	1
+SIGNAL	WHITE	2
- SIG	BLUE	3
- EXCITATION	BLACK	4



TOLERANCES UNLESS OTHERWISE SPECIFIED:
 .XXX = ± 0.005
 .XX = ± 0.015
 X = ± 0.025

SCALE: FULL



Designed By: Mettert
 Drawn By:
 Approved By:

Date: 1/9/98
 Date:
 Date:

Title / Description:
 5K LBS LOAD CELL 2 mV/V
 SS1175M5K SPECIFICATIONS

Dwg. Size: A
 Dwg. Type: SPEC
 Page 1 of 1

Part No. SS1175M5K
 File Name
 Doc. No.