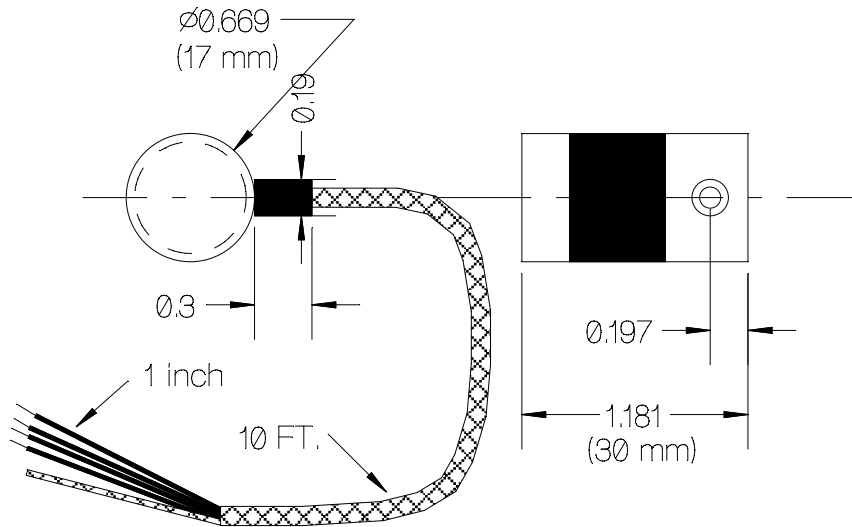


REV	DATE	DESCRIPTION	ECO	SIGN
A	08/08/96	RELEASE TO PRODUCTION	371	RAB
B	04/30/97	CHANGE MILL SLOT & POTTING MAT'L	497	RAB
C	10/23/97	3/16 ϕ WAS .266 X .53 DP, .563 ϕ WAS .583 ϕ , 32 FINISH WAS 63, ADDED 4340 or A2 to MAT'L	565	RAB



SPECIFICATIONS:

Rated Capacity	12,000 lbs.
Rated Output, (typical)	2 mV/V
Combined Error	0.5%
Non-repeatability	0.1%
Zero Balance	$\pm 1\%$
Temperature Range, Compensated	50 to 150° F
Temperature Effects, Output	0.018%/°F
Temperature Effects, Zero Balance	0.025%/°F
Input Impedance (typical)	350 ohms
Output Impedance (typical)	350 ohms
Excitation Voltage (typical)	5 VDC or AC rms
Excitation Voltage, Maximum	15 VDC or AC rms
Insulation Resistance	5,000 Megohms at 50 VDC
Maximum Load, Safe	150%
Maximum Load, Ultimate	500%
Deflection At Rated Capacity	0.0018 inch
Cable	10 feet, (4) Cond. Teflon, 0.14 Dia.
Construction	Alloy Steel

Cable Color Code:
 Yellow + Exc.
 Black - Exc.
 Red + Sig.
 White - Sig.
 Shld. Floats at cell.

TOLERANCES UNLESS OTHERWISE SPECIFIED:

XXX = ± 0.005
 XX = ± 0.015
 X = ± 0.025

SCALE: FULL

FINISH: AS NOTED

MAT'L: AISI 4340 or 4140 or A2

HARDNESS: Rc 40-46



TOLEDO
 TRANSDUCERS,
 INC.

Designed By: METTERT

Date: 08/08/96

Drawn By: BOWLEY

Date: 10/23/97

Approved By:

Date:

Title / Description:
 12,000 POUND
 COMPRESSION
 LOAD CELL

Dwg. Size: A
 Dwg. Type: SPEC

Page_1_of_1_

Part No. SS1080

File Name 0005777.FCD

Doc. No. 5777